



SCARA ROBOT

SMALL VERSATILE ROBOT



Horizontal Reach - 600 mm

Vertical Reach - 200 mm



Payload - 4 kg



Repeatability - 0.05 mm

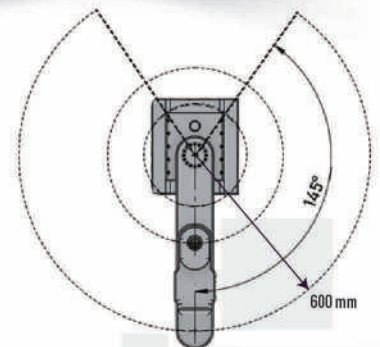
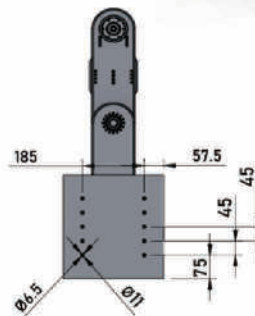
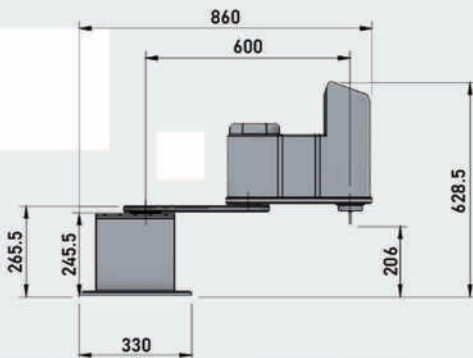


This highly compact, versatile entry-level production robot is great for automation and handling material. Equipped with a versatile controller, it is designed for easy installation and usability, and is capable of handling payloads up to 4 kg.

It is ideal for customers who want to use a robot for picking & placing, assembling and other similar applications. The SCARA controller has been designed from the ground up to utilize EtherCAT communication and to provide a platform for the next generation of industrial robots.

Specifications

Item	Unit	SCARA Robot
Controlled Axis		4
Maximum Payload	kg	4
Repeatability	mm	0.05
Horizontal Reach	mm	600
Vertical Reach	mm	200
Weight	kg	25
Digital I/O		4
Air Line		1
Power Requirement		230 VAC
Power Rating	kVA	1.0



TEXSONICS SYSTEM INDIA PVT LTD

1/6-1, Keerakara Thottam, Keeranatham, Coimbatore 641035

94426 24304 | 94888 34703 | texsonics@yahoo.com

www.texsonics.com



PRODUCT INNOVATION CENTRE

BANNARI AMMAN INSTITUTE OF TECHNOLOGY

An Autonomous Institution Affiliated to Anna University - Chennai • Approved by AICTE • Accredited by NAAC with 'A+' Grade

SATHYAMANGALAM - 638401 ERODE DISTRICT TAMILNADU INDIA

Ph: 04295 226690 / +91 99429 99966 Email: picoffice@bitsathy.ac.in Web: www.bitsathy.ac.in